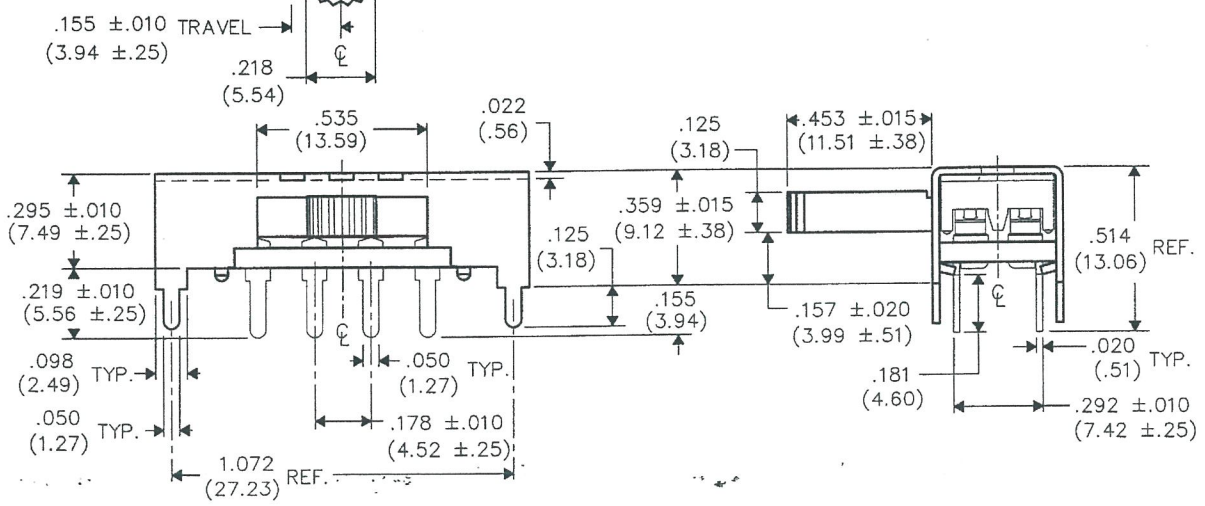
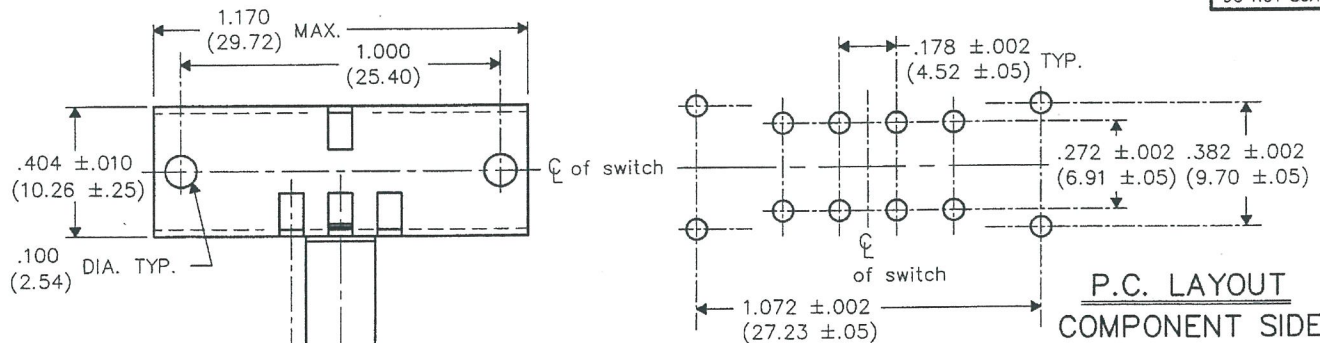


DIMENSIONS IN INCHES (MILLIMETERS)  
DO NOT SCALE DRAWING .....

Dwg. No.  
**GPI-154-0003**



E  
D  
C  
B  
A

1 2 3 4 5 6 7 8 9 10

B-FORMAT 2002  
**REVISIONS**  
0  
RELEASED.  
DGW 4-13-2006  
MAY 17 2006

**ATTENTION**  
THIS DRAWING AND ITS ATTACHMENTS, IF ANY, ARE PROPRIETARY TO CW INDUSTRIES AND DESCRIBE DESIGNS THAT ARE CONFIDENTIAL AND MUST NOT BE DISCLOSED UNLESS AUTHORIZED, IN WRITING, BY AN OFFICER OF CW INDUSTRIES.....

**CW INDUSTRIES**  
Southampton, Pa. 18966  
TOLERANCES UNLESS OTHERWISE SPECIFIED  
2 Place Decimal ±.010 METRIC  
3 Place Decimal ±.005 1 Place Dec. ±.25mm  
Angles ..... ±1' 2 Place Dec. ±.13mm  
Made for: CW IND.  
Drawn by: DGW 4-13-2006  
Checked by: G. Gould 5-16-06  
Approval: J. Johnson 5-16-06

Title: **MINI-SWITCH  
SIDE ACTUATED  
ASSEMBLY  
D.P./3 POS.**  
Division: **SWITCH**  
Dwg. No. **GPI-154-0003**

**MASTER**